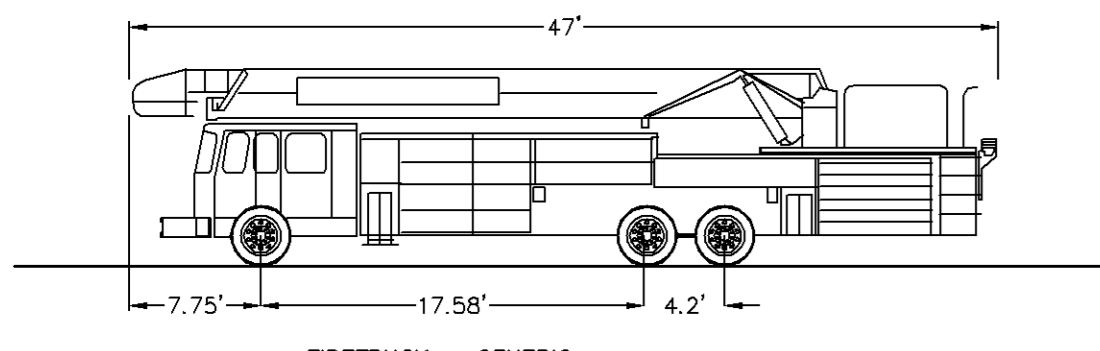
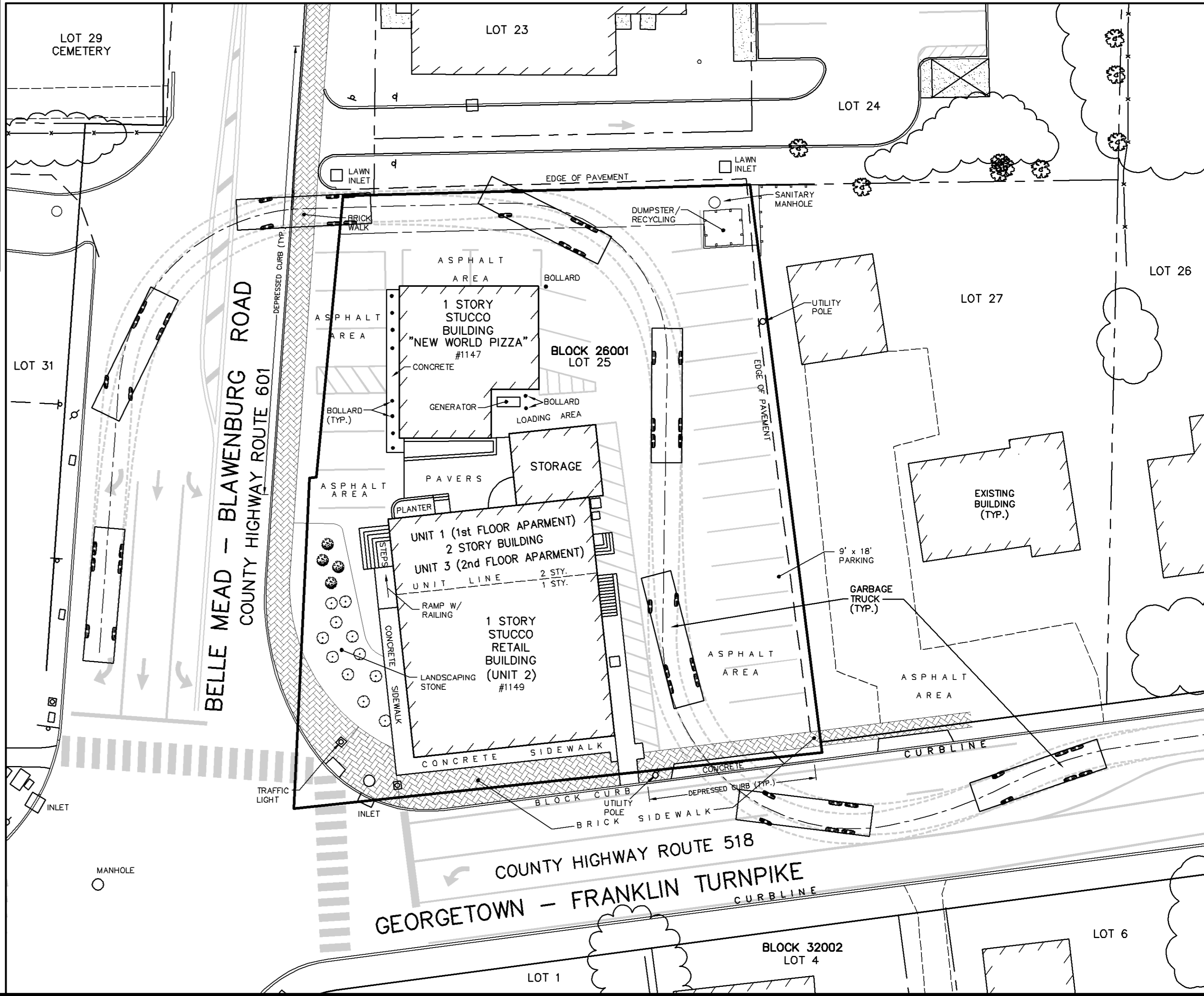
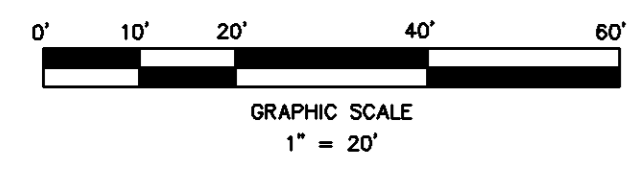


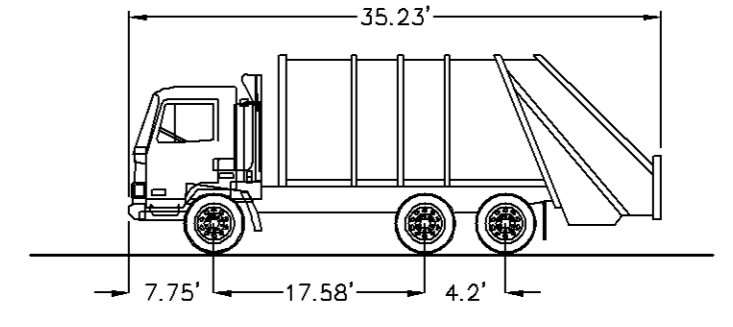
FIRETRUCK FLOW ANALYSIS  
SCALE: 1" = 20'



FIRETRUCK - GENERIC  
 OVERALL LENGTH: 47 FT.  
 OVERALL WIDTH: 8.50 FT.  
 OVERALL BODY HEIGHT: 10.52 FT.  
 GROUND CLEARANCE: 0.95 FT.  
 TRACK WIDTH: 8.50 FT.  
 LOCK-TO-LOCK TIME: 6.00s  
 MAX. WHEEL ANGLE: 40.00°



GARBAGE TRUCK FLOW ANALYSIS  
SCALE: 1" = 20'



GARBAGE TRUCK  
 OVERALL LENGTH: 35.23 FT.  
 OVERALL WIDTH: 8.00 FT.  
 OVERALL BODY HEIGHT: 12.27 FT.  
 GROUND CLEARANCE: 0.96 FT.  
 TRACK WIDTH: 8.00 FT.  
 LOCK-TO-LOCK TIME: 6.00s  
 MAX. WHEEL ANGLE: 33.90°

**Vehicle Flow Analysis**  
 Prepared For  
**Lot 25 & 26 in Block 26001**  
 Situated In  
 Township of Montgomery  
 Somerset County New Jersey

DATE	DATE	DATE	DATE
DATE: March 22, 2022	SCALE: 1" = 20'	DESIGN BY: D.J.S.	DRAWN BY: J.B.C.
		CHECKED BY: D.J.S.	JOB #: 05-03-Mont

**D.S. ENGINEERING, P.C.**  
 ENGINEERS AND DESIGN PROFESSIONALS  
 P.O. Box 792  
 Rocky Hill, New Jersey, 08553  
 (908)-369-0889 Fax (908)-369-4118

BY: *David J. Schmidt* Professional Engineer N.J. Lic. No. 39409